



ASSEMBLY INSTRUCTIONS BASECAMP:

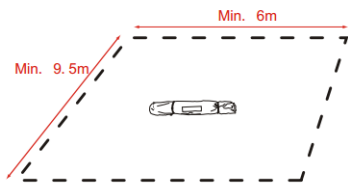
- 1) Place the package exactly where the tent will be erected.
- 2) Remove the bag.
- 3) Unroll the bundle.
- 4) Put the bag of poles aside, as well as one with accessories.
- 5) Unfold the outer tent canvas. (The outer tent is made of heavier canvas and carries the ropes.)
- 6) Place the outer tent inside up in order to make the ridge line visible. To identify the ridge line, look for the two Velcro sleeves and the two triangular vents, which are located at each end of the ridge.
- 7) Position the tent canvas in the required direction.
- 8) Assemble the ridge pipe and place it on the tent canvas. Attach it to the canvas with the two Velcro sleeves.
- 9) Attach the two upright poles to the ridge pole, one at each end of the pipe.
- 10) Fold one side of the outer tent canvas over the previously installed pipes.
- 11) Two people standing at both sides of the ridge pole, will have to erect the tent. A third person will now have to drive the 4 corner pegs into the ground, attach the guy ropes to the tent and adjust the tension.
- 12) Place the 6 side poles and the 4 door poles on the inside of the tent, and attach them to the tent walls using the inside strings.
- 13) Drive the remaining 6 pegs into the ground, attach the guy ropes and moderately adjust the tension of the ropes.
- 14) Zip up both tent doors.
- 15) Adjust the tension of the 10 guy ropes until the tent is erect. Make sure the poles are standing upright, so the tent is held in the required shape.
- 16) Attach the tent sidewalls to the ground by means of 22 pegs. If possible, make a trench to bury the outer tent mud flap into the ground.
- 17) Unzip one of the doors, go inside the tent and unfold the inner tent.
- 18) Make sure to position the inner tent correctly, so the chimney pipe protection in the inner tent is located at the exact same place as that in the outer tent.

- 19) Hook the inner tent onto the ridge pipe. Start by hooking the inner tent to both sides of the ridge pipe, then attach it to the de pillars by means of the provided straps, and, subsequently, attach the 6 remaining hooks to the ridge pipe.
- 20) Hook the inner tent sidewalls onto the side poles, using the 16 hooks, the 10 D-rings at the top and the 6 rings at the bottom of the sidewalls. Start from the middle, and finish at the door side.
- 21) Attach the toggles on the canvas to the loops at the top of each tent door zipper.
- 22) Flatten the groundsheet and adjust the general shape of the inner tent.
- 23) Put the central pole where the groundsheet is reinforced.
- 24) Drive the 4 remaining pegs into the ground at the bottom of each tent door zipper, so as to fix the straps at the tent doors to the ground.
- 25) The outer tent doors can be used as awnings by moving the door poles, the door guy ropes and the pegs.
- 26) Check the rope tension regularly and adjust if needed.

x3



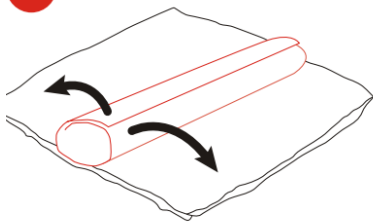
1



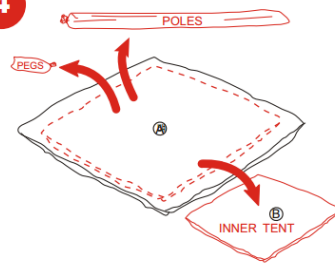
2



3



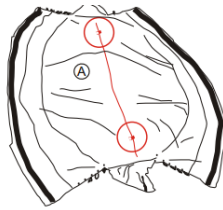
4



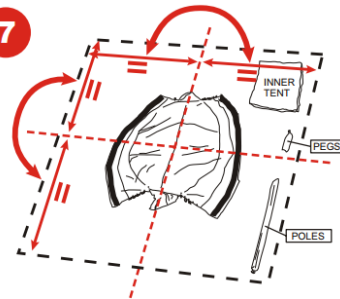
5



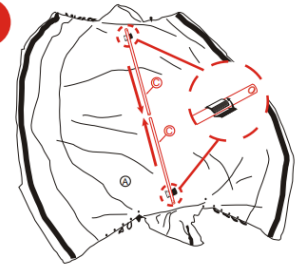
6



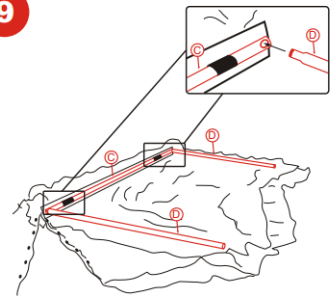
7



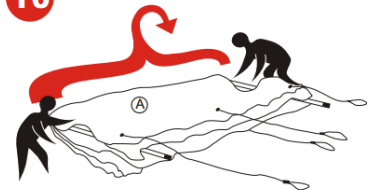
8



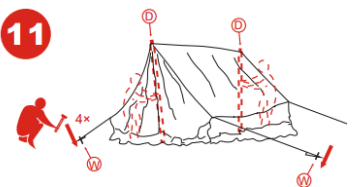
9



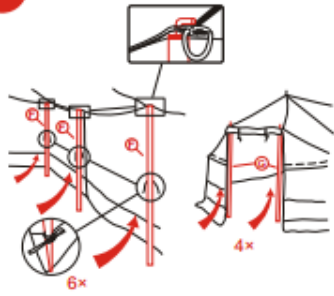
10



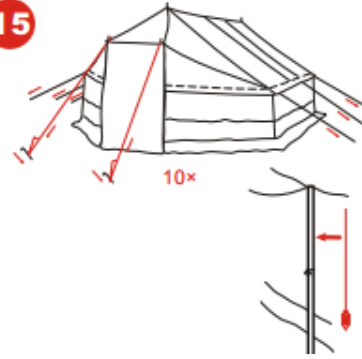
11



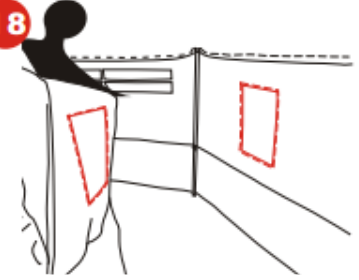
12



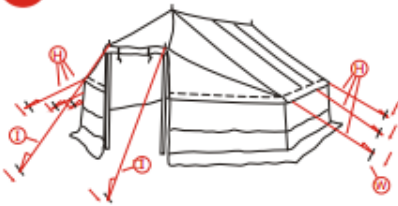
15



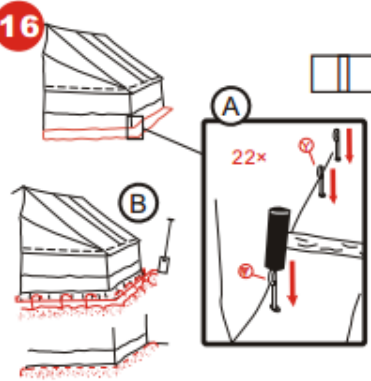
18



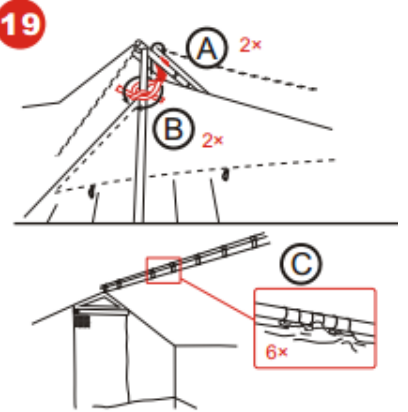
13



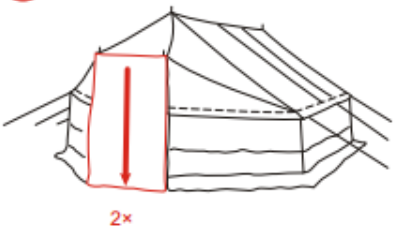
16



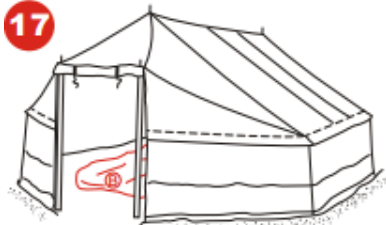
19



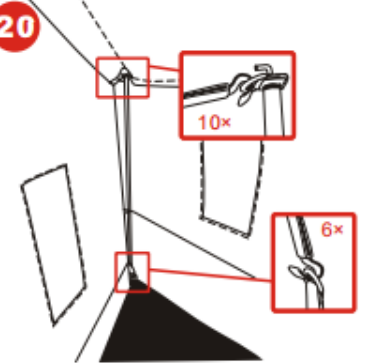
14



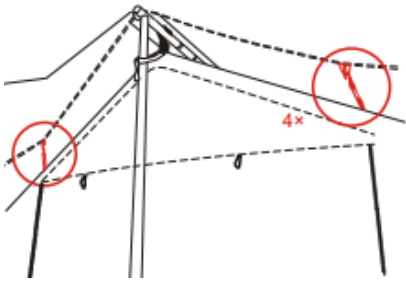
17



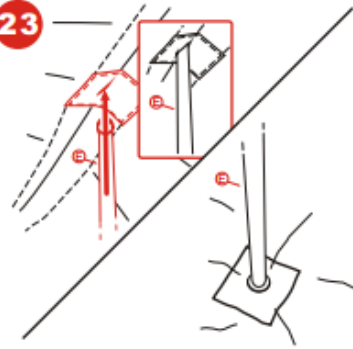
20



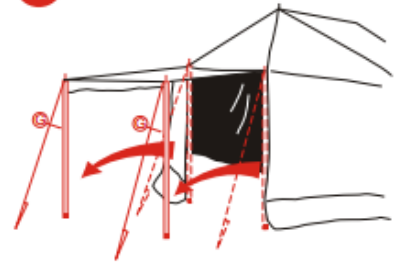
21



23



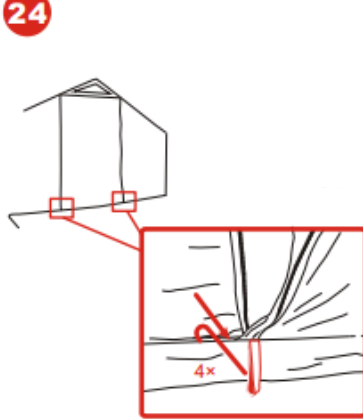
25



22



24



26

